

Part Number	Description	Case Qty.
37394	Loctite® 518™ Gasket Maker, 50 ml	6
37477	Loctite® 242® Threadlocker, 36 ml	6
37478	Loctite® 262™ Threadlocker, 36 ml	6
37479	Loctite® 271™ Threadlocker, 36 ml	6
37483	Loctite® 609™ Bearing Mount, 36 ml	6
37485	Loctite® 680™ Bearing Mount, 36 ml	6
37509	Loctite® Klean 'N Prime™, 4.5 oz.	6
37510	Loctite® Ready Gasket, 7 oz.	6
37535	Loctite® Dielectric Tune-up Grease, 80 ml	6
37553	Loctite® Hi-Tack Gasket Sealant, 16 oz.	12
37577	Loctite® ViperLube®, 400 gm	12
37578	Loctite® ViperLube®, 10.1 oz.	6
37614	Loctite® Blue Threadlocker Stick, 19 gm	6
37700	Loctite® Red Threadlocker Stick, 19 gm	6
38652	Loctite® 620™ Bearing Mount, 36 ml	6

Smaller sizes are available. Please reference our Loctite® Automotive Aftermarket Catalog. Material Safety Data Sheets and Technical Data Sheets are also available by 24-hour fax. In the U.S.A., 1.800.LOCTITE (562.8483). In Canada, 1.800.263.5043.

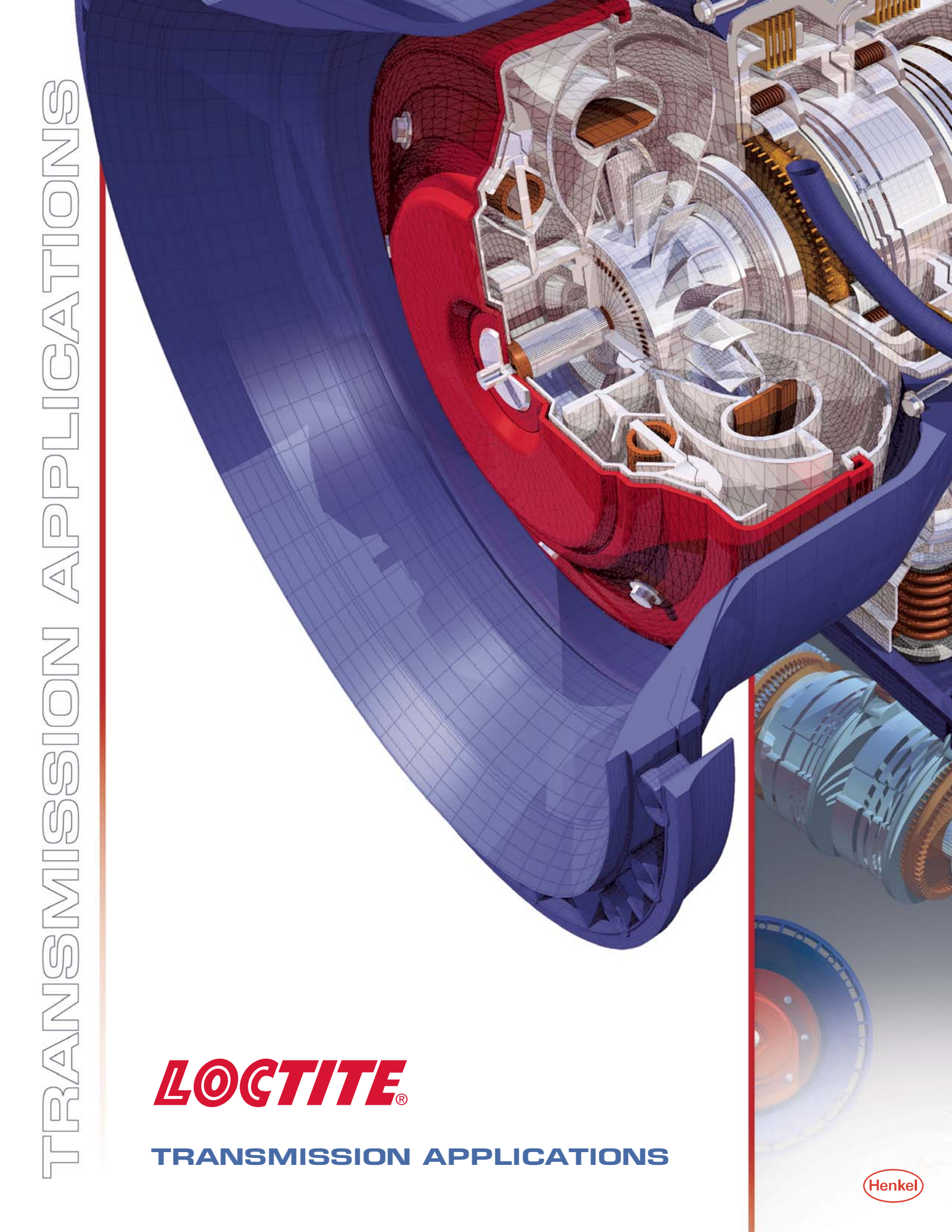
For Customer or Technical help, call 1.800.434.1836.

TRANSMISSION APPLICATIONS

**LOCTITE**<sup>®</sup>

TRANSMISSION APPLICATIONS

Henkel



**Loctite® Blue Threadlocker  
Stick P/N 37614  
or Loctite® 242® Threadlocker  
P/N 37477  
Case Assembly Bolts**



**Loctite® Blue Threadlocker  
Stick P/N 37614  
or Loctite® 242® Threadlocker  
P/N 37477  
Housing Bolts**



**Loctite® 609™  
Bearing Mount  
P/N 37483  
Case Dowell Pins**



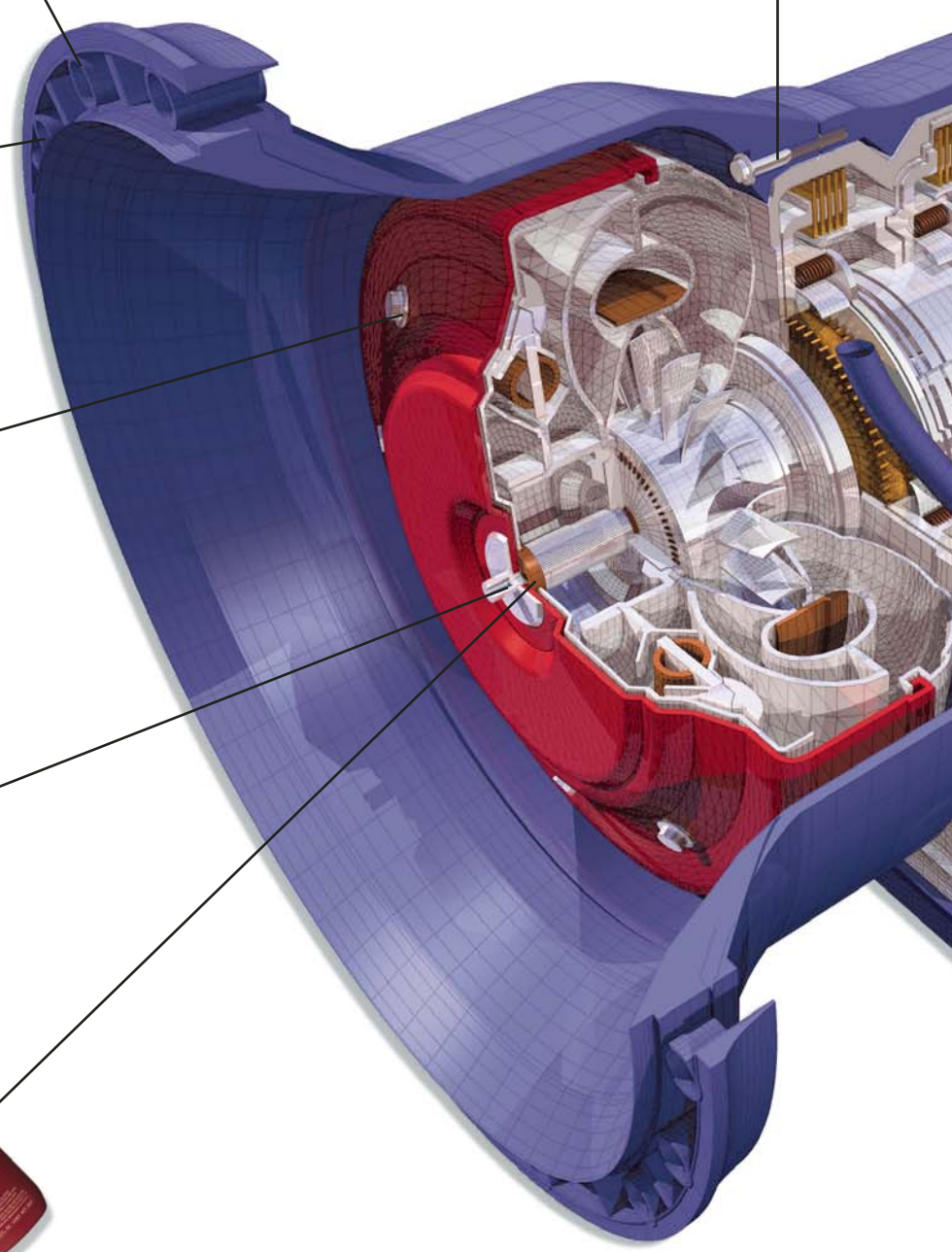
**Loctite® 271™  
Threadlocker  
P/N 37479  
or Loctite® Red  
Threadlocker Stick  
P/N 37700  
Torque Converter Bolts**



**Loctite® 262™  
Threadlocker  
P/N 37478  
Flywheel to Torque  
Converter Bolts**



**Loctite® 620™  
Bearing Mount  
P/N 38652  
Torque Converter Seal**





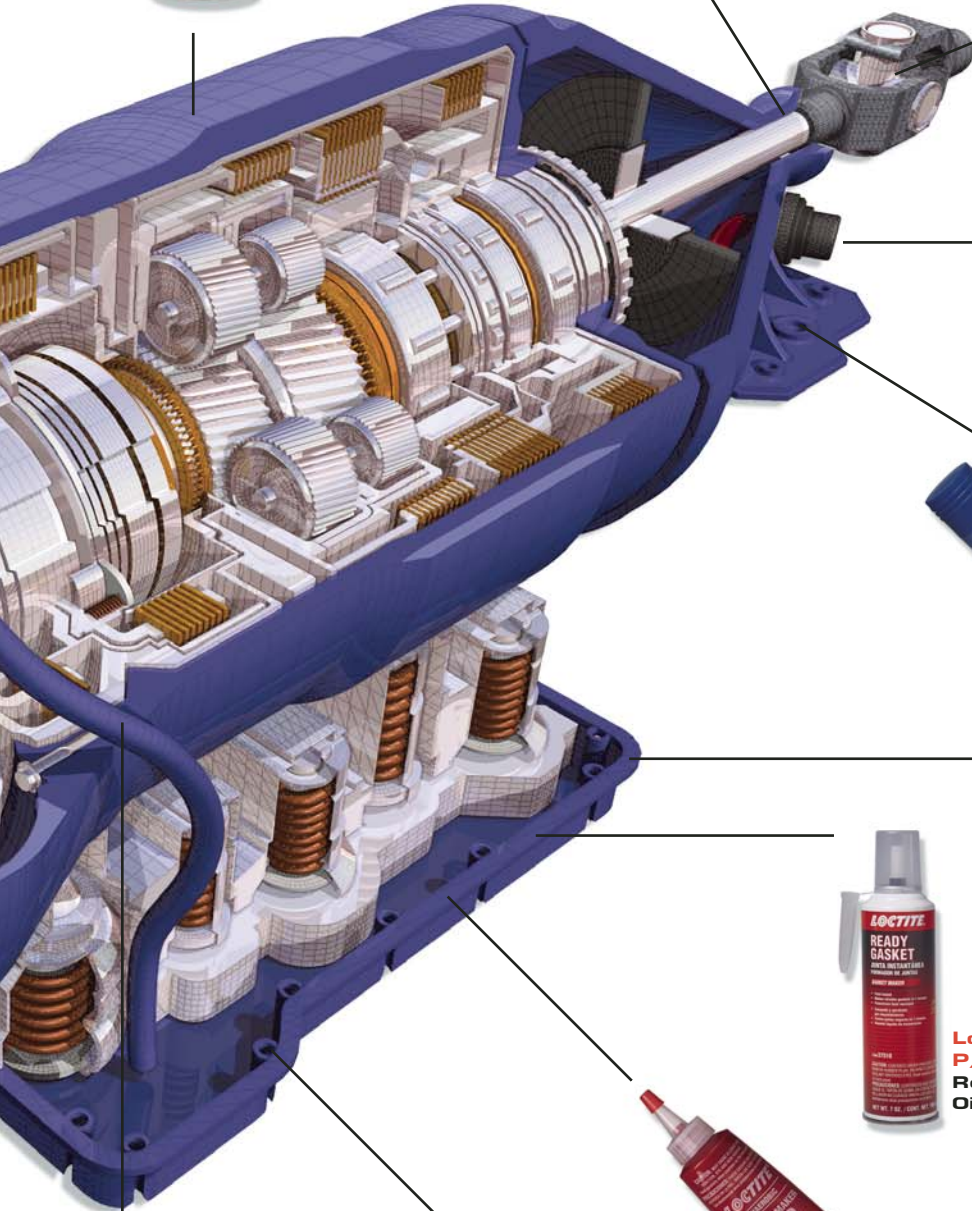
**Loctite® Klean 'N Prime™ P/N 37509**  
Surface Prep



**Loctite® 620™ Bearing Mount P/N 38652**  
Input/Output Shaft Seals



**Loctite® ViperLube® P/N 37578**  
**P/N 37577**  
Slip Yokes/  
U-joints



**Loctite® Dielectric Tune-up Grease P/N 37535**  
Plastic Electrical Plugs



**Loctite® Blue Threadlocker Stick P/N 37614**  
or **Loctite® 242® Threadlocker P/N 37477**  
Crossmember Bolts



**Loctite® Hi-Tack Gasket Sealant P/N 37553**  
Hold Gasket on  
Transmission Oil Pan



**Loctite® Ready Gasket P/N 37510**  
Replace Transmission  
Oil Pan Gasket



**Loctite® 518™ Gasket Maker P/N 37394**  
Transmission Pan Gasket  
(Cast or Machined Pans)



**Loctite® Blue Threadlocker Stick P/N 37614** or  
**Loctite® 242® Threadlocker P/N 37477**  
Transmission Pan Bolts



**Loctite® 680™ Bearing Mount P/N 37485**  
Oil Dipstick Tube